

# fluorecare<sup>®</sup> Incubator



Model No.: MF-C100

- High precision temperature controller
- Incubate six cassettes at a time
- Durable rugged frame
- Easy to use



MICROPROFIT BIOTECH

# fluorecare<sup>®</sup> Incubator

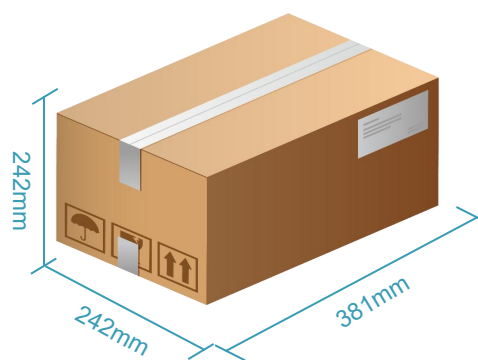
## • Specifications

Mode No.	MF-C100 Incubator
Gross Weight	4.15 KGs
Dimension	310mm×160mm×135mm (W×D×H)
Number of channel	6
Range of temperature controled	5°C~60°C
working temperature	5°C~40°C
Temperature control	<ul style="list-style-type: none"> <li>➤ Precision of temperature displayed: 0.1°C.</li> <li>➤ Temperature error: &lt; 0.5°C.</li> </ul>
Timing range	0~59min59s
Relative humidity	≤85%, non condensing;
Timing control	<ul style="list-style-type: none"> <li>➤ Customized timing function</li> <li>➤ Automatic timing function after diagnostic kit being inserted</li> </ul>
Power Input	<ul style="list-style-type: none"> <li>➤ Adapter input: AC 100-240V 50/60Hz</li> <li>➤ Input power: 150W</li> <li>➤ Be away from strong electromagnetic interference sources.</li> </ul>
Others	<ul style="list-style-type: none"> <li>➤ Avoid direct exposure to strong light</li> <li>➤ Good grounding environment and indoor use</li> </ul>

These specifications are subject to change without notice.

## • Product Main Structure

## • Packing Information



## Authorized Distributor:



**Shenzhen Microprofit Biotech Co.,Ltd.**  
 Add: Haowei Building, No. 8 Langshan 2nd Road,  
 Songpingshan, Songpingshan Community, Xili  
 Street, Nanshan District, Shenzhen, P.R. China  
 Tel: +86-755-86325154, +86-755-61688835  
 Fax: +86-755-61688111  
 www.microprofit-bio.com  
 bio@microprofit-bio.com

